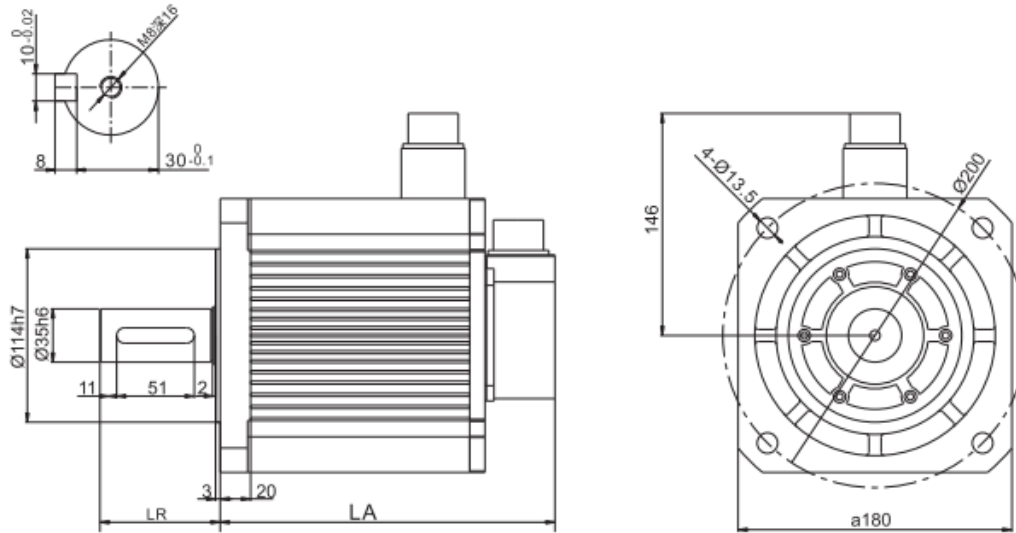


| | | | |
|------------------------|------|-----|-----|
| MS-130ST-M06025□□-41P5 | 0142 | 179 | 263 |
| MS-130ST-M10015□□-41P5 | 0144 | 213 | 294 |
| | 2144 | 206 | 265 |
| MS-130ST-M10030□□-43P0 | 1148 | 230 | 289 |

■ Dimensions of 180 series servo motors (unit: mm)



| Motor type | Motor code | LR | LA | |
|--------------------------|------------|----|--------|------------|
| | | | Normal | With brake |
| MS-180ST-M19015□□-43P0 | 1052 | 79 | 221 | 303 |
| MS-180ST-M19015□□-43P0-S | 0156 | 65 | 232 | 289 |
| | 1052 | 65 | 221 | 303 |
| MS-180ST-M21520□□-44P5 | 0150 | 59 | 243 | 300 |
| MS-180ST-M27015□□-44P3 | 1151 | 79 | 247 | 329 |
| MS-180ST-M27015□□-44P3-S | 0151 | 65 | 262 | 319 |
| | 1151 | 65 | 247 | 329 |
| MS-180ST-M35015□□-45P5 | 1152 | 79 | 277 | 359 |
| MS-180ST-M35015□□-45P5-S | 0152 | 59 | 292 | 349 |
| | 1152 | 79 | 277 | 359 |
| MS-180ST-M48015□□-45P5 | 0153 | 59 | 346 | 403 |