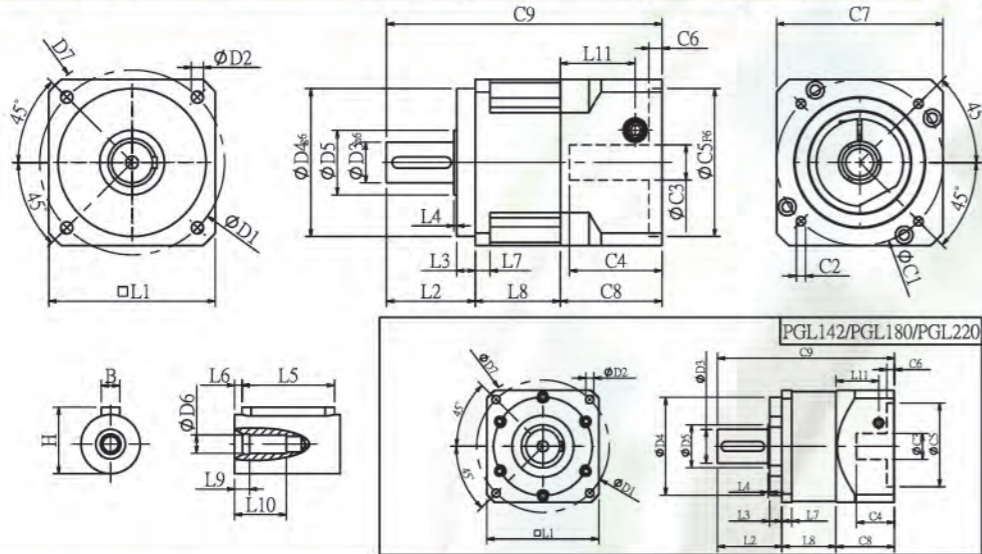
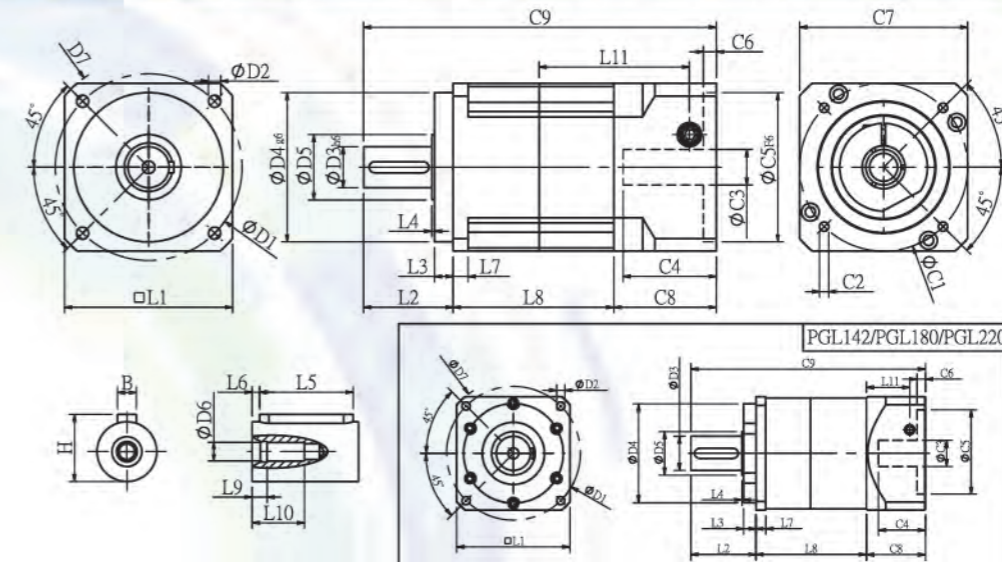


PGL單段外型尺寸圖 PGL Single Stage Dimensions



PGL雙段外型尺寸圖-1 PGL Double Stage Dimensions-1



規格(Specifications): Unit:mm

尺寸 Dimensions	PGL42	PGL60	PGL90	PGL115	PGL142	PGL180	PGL220
D1	50	70	100	130	165	215	250
D2	3.4	5.5	6.5	8.5	10.5	13	17
D3h6	13	16	22	32	40	55	75
D4g6	35	50	80	110	130	160	180
D5	15	25	35	45	50	70	90
D6	M4x0.7P	M5x0.8P	M8x1.25P	M12x1.75P	M16x2P	M20x2.5P	M20x2.5P
D7	56	80	118	148	186	239	292
L1	42.6	60	90	115	142	182	220
L2	26	37	48	62	93	104.5	138
L3	5.5	7	10	8	8	20	30
L4	1.5	1.5	1.5	3	6	2.5	3
L5	15	25	32	40	60	70	90
L6	2	2	3	5	5	6	7
L7	4	6	8	12	18	16	20
L8	28.3	36	46	59	79	87.5	117.5
L9	4	4	4.5	6	6	8	7
L10	14	16.5	20.5	30	38	48	42
L11	29	35.5	40.5	42	63	69.5	102.2
C1 ²	46	70	90	115	145	200	235
C2 ²	M4x0.7P	M5x0.8P	M6x1P	M8x1.25P	M8x1.25P	M12x1.75P	M12x1.75P
C3 ²	≤8	≤14	≤19/≤24	≤24/≤28	≤35	≤50	≤55
C4 ²	27	37	47	58	66	82	98
C5 ² F6	30	50	70	95	110	114.3	200
C6 ²	4	4	6	10	6	13	12
C7 ²	42.6	60	90	115	140	182	220
C8 ²	38.5	46	55	63	80	95	130
C9 ²	92.8	119	149	184	252	287	385.5
B	5	5	6	10	12	16	20
H	15	18	24.5	35	43	59	79.5

★ C1~C9是公製標準馬達連接板尺寸,請依所選用的馬達決定。
★ C1~C9 are motor specific dimensions(metric std shown), Size may vary according to the motor flange chosen.
★ 本公司有權針對以上數據規格進行設計變更不先行告知。
★ Specification subject to change without notice.

尺寸 Dimensions	PGL42	PGL60	PGL90	PGL115	PGL142	PGL180	PGL220
D1	50	70	100	130	165	215	250
D2	3.4	5.5	6.5	8.5	10.5	13	17
D3h6	13	16	22	32	40	55	75
D4g6	35	50	80	110	130	160	180
D5	15	25	35	45	50	70	90
D6	M4x0.7P	M5x0.8P	M8x1.25P	M12x1.75P	M16x2P	M20x2.5P	M20x2.5P
D7	56	80	118	148	186	239	292
L1	42.6	60	90	115	142	182	220
L2	26	37	48	62	93	104.5	138
L3	5.5	7	10	8	8	20	30
L4	1.5	1.5	1.5	3	6	2.5	3
L5	15	25	32	40	60	70	90
L6	2	2	3	5	5	6	7
L7	4	6	8	12	18	16	20
L8	54.3	64	86	107	140	177.5	232
L9	4	4	4.5	6	6	8	7
L10	14	16.5	20.5	30	38	48	42
L11	29	35.5	40.5	42	63	69.5	102.2
C1 ²	46	70	90	115	145	200	235
C2 ²	M4x0.7P	M5x0.8P	M6x1P	M8x1.25P	M8x1.25P	M12x1.75P	M12x1.75P
C3 ²	≤8	≤14	≤19/≤24	≤24/≤28	≤35	≤50	≤55
C4 ²	27	37	47	58	66	82	98
C5 ² F6	30	50	70	95	110	114.3	200
C6 ²	4	4	6	10	6	13	12
C7 ²	42.6	60	90	115	140	182	220
C8 ²	38.5	46	55	63	80	95	130
C9 ²	118.8	147	189	232	313	377	500
B	5	5	6	10	12	16	20
H	15	18	24.5	35	43	59	79.5

★ C1~C9是公製標準馬達連接板尺寸,請依所選用的馬達決定。
★ C1~C9 are motor specific dimensions(metric std shown), Size may vary according to the motor flange chosen.
★ 本公司有權針對以上數據規格進行設計變更不先行告知。
★ Specification subject to change without notice.